

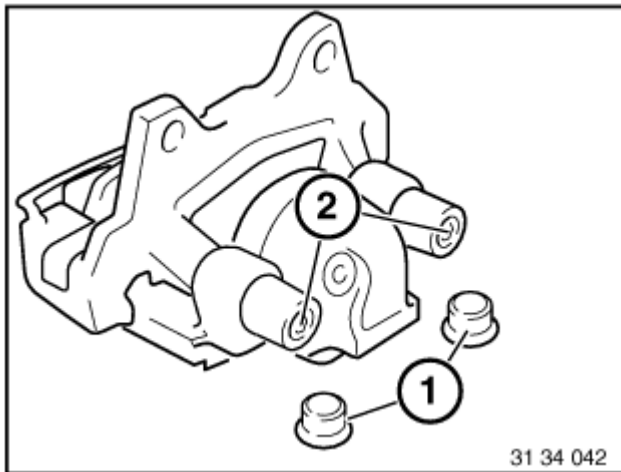
34 11 552 Overhauling left or right front-brake caliper (brake caliper removed)

Note:

Use repair kit: refer to BMW Parts Service.

Follow general instructions:

[Refer to 34 00 ...](#)



Take off plastic caps (1).

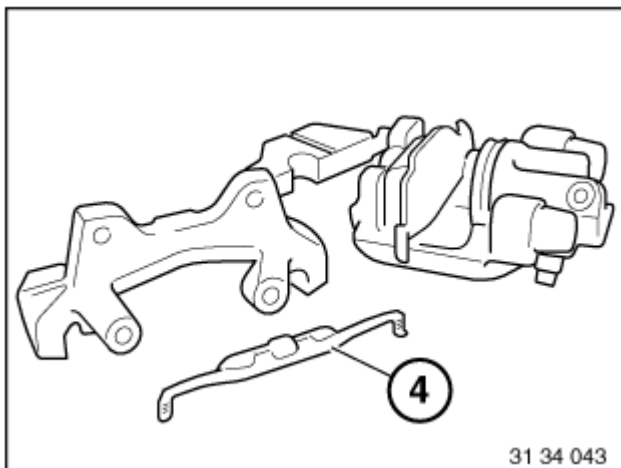
Unscrew guide screws (2).

Installation:

Only clean guide screws; do not grease. Check guide bolts, replace if necessary.

Tightening torque:

[refer to Technical Data 34 11 3AZ.](#)



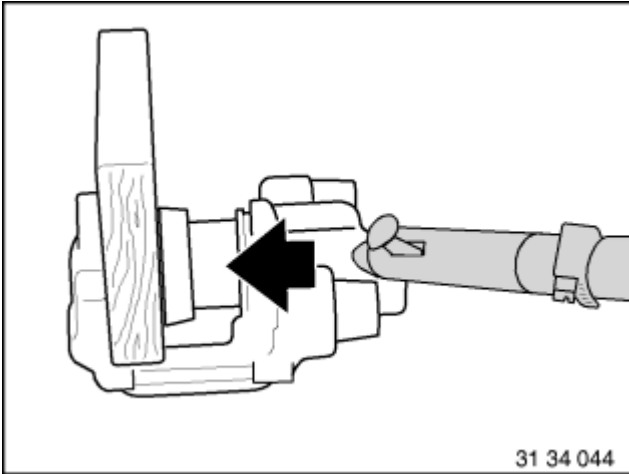
Dismantle brake caliper and remove brake linings. **Installation:**

Press brake lining fully outwards and insert spring (4).

**Warning!**

In the following work step, large forces occur at the brake caliper piston (up to more than 2800 N!).

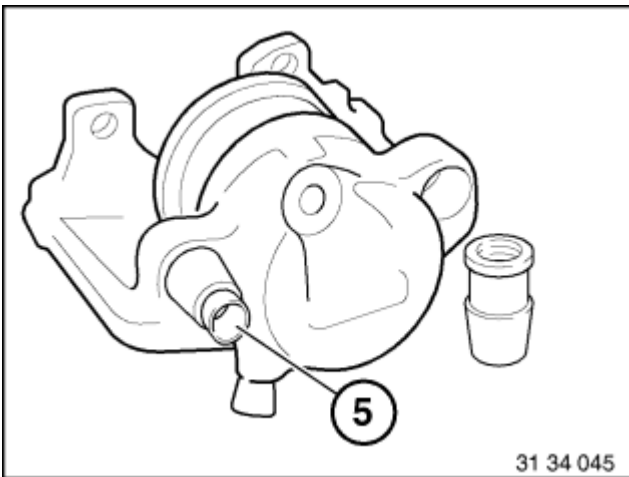
Danger of injury!



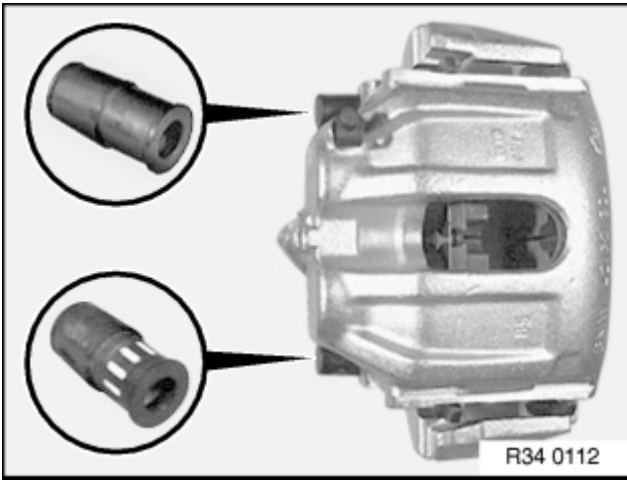
Press out piston with compressed air applied through connection bore.

To protect piston, place a protective plate (e.g. hard wood or hard felt) in caliper recess.

Do not grip piston with fingers - risk of trapping!



Check guide sleeves (5), fitting repair-kit guide sleeve if necessary.



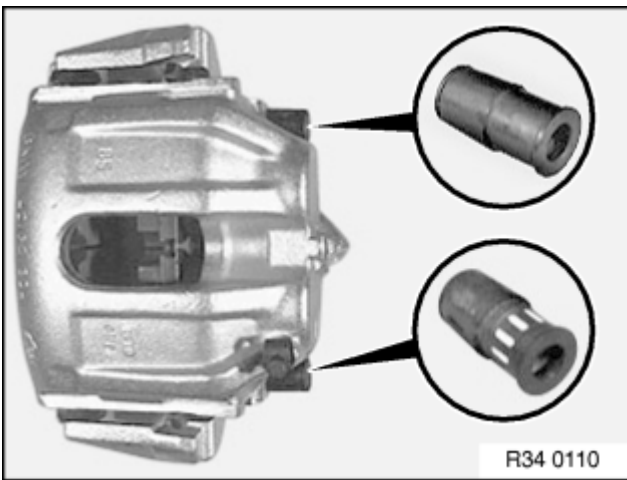
750i/iL and Z8

Right

Installation:

Ensure proper installation position of guide sleeves.

- 1) Guide sleeve with Teflon socket (white insert) is located on disk inlet (bottom)
- 2) Guide sleeve in standard version (black) is located on disk outlet (top)



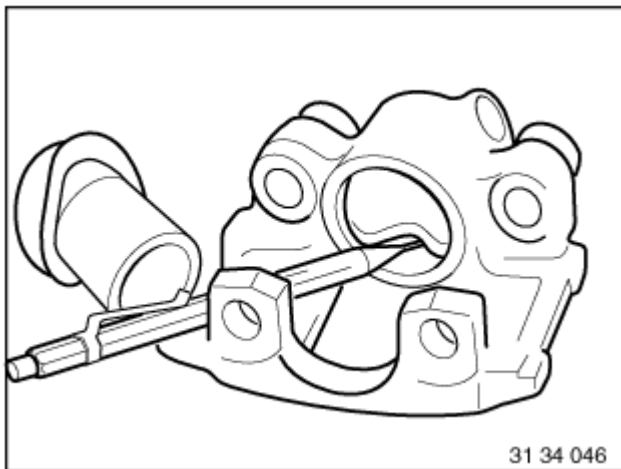
750i/iL and Z8

Left

Installation:

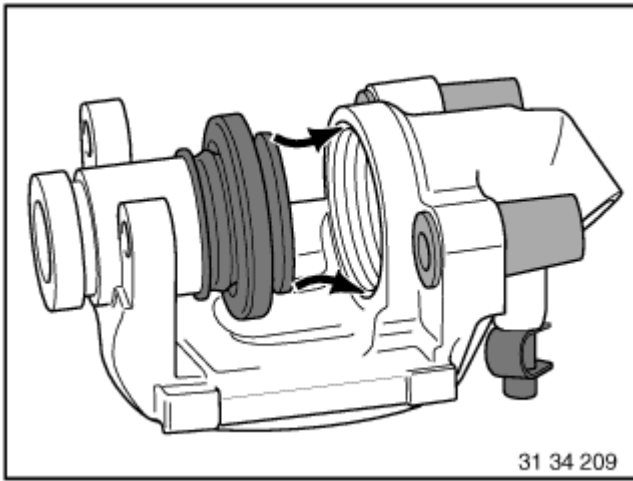
Ensure proper installation position of guide sleeves.

- 1) Guide sleeve with Teflon socket (white insert) is located on disk inlet (bottom)
- 2) Guide sleeve in standard version (black) is located on disk outlet (top)



Remove sealing ring carefully with a plastic needle.
Clean cylinder bores and parts with alcohol and dry with compressed air.

Thoroughly inspect cylinder bore, piston and flange surfaces. Machining of cylinders and pistons is not permitted.

**Installation:**

Apply a light coat of Ate brake cylinder paste to cylinder bore, piston, dust sleeve and sealing sleeve,

refer to BMW Service Operating Fluids.

Install sealing cover in rear annular groove of cylinder bore.

First fit dust sleeve on piston. Insert sealing bulge into front groove of cylinder bore and press in piston with a hardwood board.

Caution!

Do not tilt piston.

For informational purposes only. The information on this website is provided AS-IS with no warranties, express or implied, and is not guaranteed to be error-free, up-to-date or complete. Newtis.info and BMW assume no liability for any loss or damage arising from the use or reliance on the information and content on this website. The content on this website is subject to change without notice.